

RC851PA2

Indoor Ceiling Mount Presence Detector

RC851PA2 is an indoor ceiling mount presence detectors bring energy saving and automatic lighting control intelligently to home and office with ease and comfort.

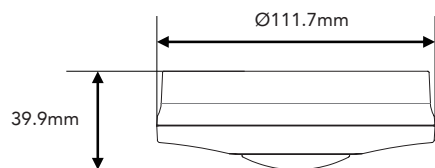


Specifications

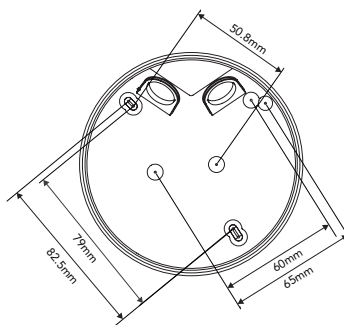
Model Name	RC851PA2
Product Name	Ceiling Mount Presence Detector
Rated Voltage	220-240VAC, 50/60Hz
Operating Temperature	-20°C ~ +45°C
Rated Load	Switching capacity: Max. 10A Fluorescent: 900VA/100uF Energy Saving or LED Lamp: 600VA/400W
Rated Protection	IP55
Detection Range	Ø10m at 2.5m height, 25°C
Detection Angle	360°
Time Setting	30 sec - 30 min
Lux Setting	10 - 2000 lux
Sens Setting	25% - 100%
Master / Slave Mode	Master / Slave via VR setting
Operation Mode / Function	Auto / Test / Pulse / Push Button (External) / Day Mode / Teach-in
Dimensions	Ø111.7mm x 39.9mm

Specification is subject to change without notice.

Dimension



Knockouts



Detection

