

# RC851ZiA2

## Indoor Ceiling Mount Presence Detector

RC851ZiA2 is an indoor ceiling mount presence detectors bring energy saving and automatic lighting control / HVAC control intelligently to home and office with ease and comfort.

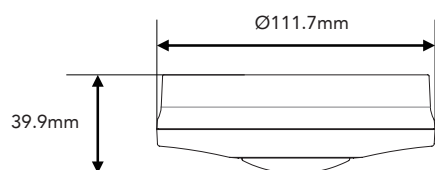


### Specifications

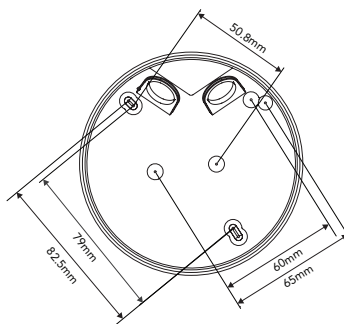
<b>Model Name</b>	<b>RC851ZiA2</b>
<b>Product Name</b>	Ceiling Mount Presence Detector
<b>Rated Voltage</b>	220-240VAC, 50/60Hz
<b>Operating Temperature</b>	-20°C ~ +45°C
<b>Rated Load</b>	Load 1 for Lighting: Switching capacity: Max. 10A Fluorescent: 900VA/100uF Energy Saving or LED Lamp: 600VA/400W  Load 2 for HVAC: Max. 1A for 250VAC (cos φ = 0.4) or Max. 5A for 5-250VAC (cos φ = 1) or Max. 5A for 5-30VDC
<b>Rated Protection</b>	IP55
<b>Detection Range</b>	Ø10m at 2.5m height, 25°C
<b>Detection Angle</b>	360°
<b>Time Setting</b>	Time 1: 30 sec - 30 min Time 2: 10 sec - 60 min
<b>Lux Setting</b>	10 - 2000 lux (Load 1 only)
<b>Sens Setting</b>	25% - 100%
<b>Operation Mode / Function</b>	Auto / Test / Pulse / Day Mode / Teach-in
<b>Optional products</b>	IRCE28RA1 Remote Control
<b>Dimensions</b>	Ø111.7mm x 39.9mm

Specification is subject to change without notice.

### Dimension



### Knockouts



### Detection

